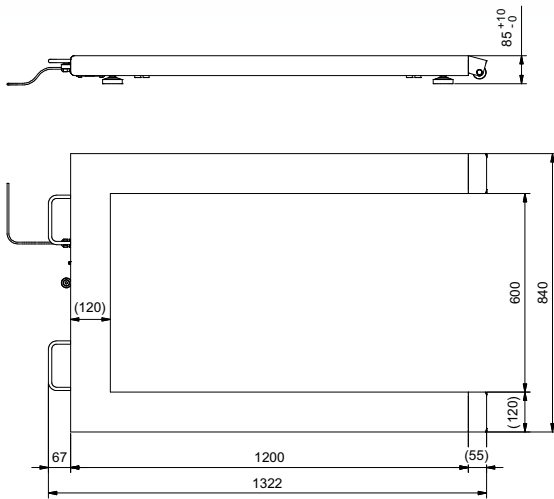


# PALLET SCALES



release date 13-11-2013

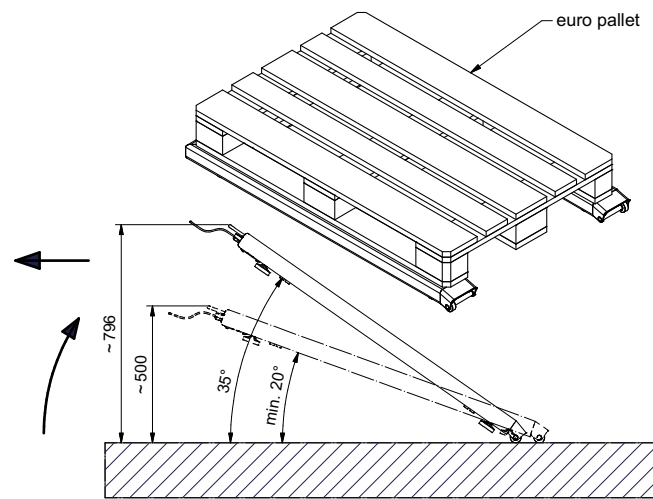


Pallet scales are stable and proved 4 load cell constructions designed for weighing pallets. The load to be weighed can be placed on the platform by a standard fork-lift truck. The pallet scales WPT/4P/C series are manufactured in mild steel powder coated version.

The WPT/4P series features wheels and handles for easy transporting the scale to its place of use. The scale comes standard with an indicator PUE C/31 series featuring backlit LCD display and 5 function buttons. The indicator is installed on a three meter long cable.

The capacities of scales WPT/4P/C series range from 600 kg /200 g to 3000 kg /1000 g. Power supply from mains 230V AC. RS 232 output comes as standard equipment.

- Parts counting
- Checkweighing
- Totalizing



## Technical data:

	WPT/4P 300/600C	WPT/4P 600C	WPT/4P 600/1500C	WPT/4P 1500C	WPT/4P 2000C	WPT/4P 1500/3000C	WPT/4P 3000C
Max capacity	300/600 kg	600 kg	600/1500 kg	1500 kg	2000 kg	1500/3000 kg	3000 kg
Readability	100/200 g	200 g	200/500 g	500 g	1000 g	500/1000 g	1000 g
Tare range	-600 kg	-600 kg	-1500 kg	-1500 kg	-2000 kg	-3000 kg	-3000 kg
Pan size	1200 × 840 mm						
Working temperature	-10° ÷ +40 °C						
Output signal	RS 232						
IP rating	IP 65 construction, IP 67 load cell, IP 43 indicator						
Power supply	230V AC, 50Hz / 11V AC and battery						
Display	LCD (backlit)						
Scale net weight with indicator	~45 kg						
Scale dimensions	1322 × 840 × 85 mm						

## Additional equipment:

RACK FOR INDICATOR	COMPUTER SOFTWARE: PW-WIN, RAD-KEY, REC-FS, LS-FS
LCD ADDITIONAL DISPLAY	RS 232/RS 485 CONVERTER KR-01
LARGE SIZE ADDITIONAL DISPLAY WWG (DIGIT 4,5")	RS 232 / ETHERNET CONVERTER KR-02
THERMAL PRINTER "KAFKA"	EXTERNAL POWER OUTPUT
DOT MATRIX PRINTER "EPSON"	CABLE RS 232 [SCALE-COMPUTER]: P0108
ANTI-DUST CASE FOR EPSON PRINTER	CABLE RS 232 [SCALE - KAFKA PRINTER]: P0136
HANDLE FOR PLASTIC INDICATOR	CABLE RS 232 [SCALE - EPSON PRINTER]: P0151
	LCD DISPLAY IN STAINLESS STEEL HOUSING

## RADWAG Balances and Scales

26-600 Radom • 28 Bracka Street • POLAND • Phone: +48 48 3848800 • Fax: +48 48 3850010 • www.radwag.com • e-mail: export@radwag.com