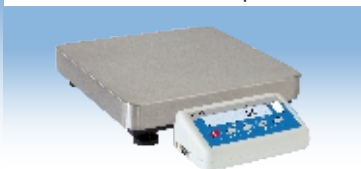


PRECISION BALANCES WLC









release date 23-09-2013



Balances series WLC are designed for fast and precise mass determination in laboratory and industrial conditions. They can also be used in areas with no access to mains (230V), as their standard equipment they include internal rechargeable battery and RS 232 output. WLC series, independently on model (pan size: 128×128, 125×145, 195×195, 290×360 and 400×500 mm) and capacity, features stainless steel weighing platform and backlit LCD display providing good reading of weighing result.

Balances series A2 offer the possibility of weighing loads outside weighing platform (so called under hook weighing), where a load is hanged under the instrument. This is an alternative for weighing loads with non-standard dimensions and shapes.

-  Parts counting
-  Checkweighing
-  Animal weighing
-  Percent setup
-  Caps lock of max indication
-  Measurement in Newton

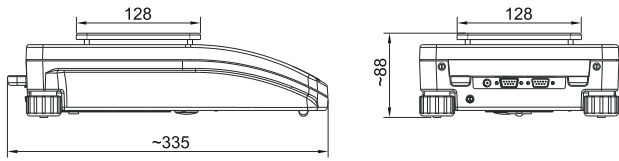
Technical data:

	WLC 0,6/B1 M	WLC 0,6/A1 M	WLC 1/A2	WLC 2/A2	WLC 6/A2 M	WLC 10/A2	WLC 20/A2
Max capacity	0,6 kg	0,6 kg	1 kg	2 kg	6 kg	10 kg	20 kg
Minimal load	0,5 g	0,5 g	-	-	0,5 g	-	-
Reading unit	0,01 g	0,01 g	0,01 g	0,01 g	0,1 g	0,1 g	0,1 g
Verification unit	0,1 g	0,1 g	-	-	1 g	-	-
Tare range	-0,6 kg	-0,6 kg	-1 kg	-2 kg	-6 kg	-10 kg	-20 kg
Repeatability	0,01 g	0,01 g	0,03 g	0,03 g	0,1 g	0,3 g	0,3 g
Linearity	±0,01 g	±0,01 g	±0,03 g	±0,03 g	±0,1 g	±0,3 g	±0,3 g
Pan size	125 × 145 mm	128 × 128 mm			195 × 195 mm		
OIML class	II	II	-	-	II	-	-
Interface	RS 232						
Power supply	11V AC or 10,5+15V DC I _{max} =600mA, and accumulator						
IP rating	IP 43						
Stabilization time	3 s						
Working temperature	+15° + 30 °C						
Display	LCD (backlit)						
Net weight/Gross weight	1,2 / 2 kg	2,8 / 3,8 kg			2,8 / 3,8 kg		
Packaging dimensions	320×210×150 mm	440×280×190 mm			440×280×190 mm		

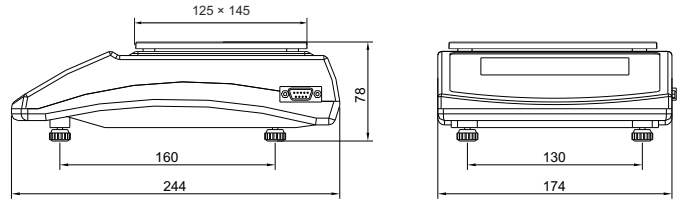
Technical data:

	WLC 6/F1/R WLC 6/F1/K M	WLC 12/F1/R WLC 12/F1/K	WLC 30/F1/R WLC 30/F1/K	WLC 60/C2/R WLC 60/C2/K M	WLC 120/C2/R WLC 120/C2/K
Max capacity	6 kg	12 kg	30 kg	60 kg	120 kg
Minimal load	5 g	-	-	50 g	-
Reading unit	0,1 g	0,2 g	0,5 g	1 g	2 g
Verification unit	1 g	-	-	10 g	-
Tare range	-6 kg	-12 kg	-30 kg	-60 kg	-120 kg
Repeatability	0,3 g	0,6 g	1,5 g	1 g	2 g
Linearity	±0,3 g	±0,6 g	±1,5 g	±1 g	± 2 g
Pan size	300 × 300 mm		400 × 500 mm		
OIML class	II	-	-	II	-
Interface	RS 232				
Power supply	11V AC or 10,5+15V DC I _{max} =600mA, and accumulator				
Stabilization time	3 s				
Working temperature	+15° - +30 °C				
Display	LCD (backlit)				
Net weight/Gross weight	5,2 / 6 kg			16 / 18 kg	
Packaging dimensions	570×390×170 mm			720×580×220 mm	

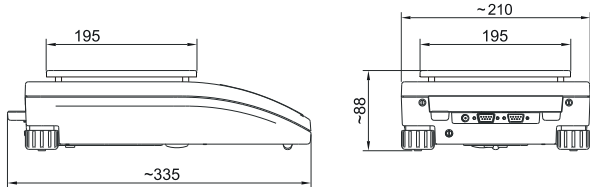
A1 version



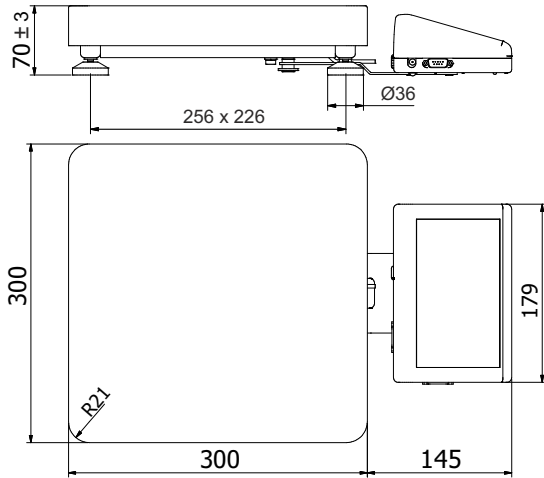
B1 version



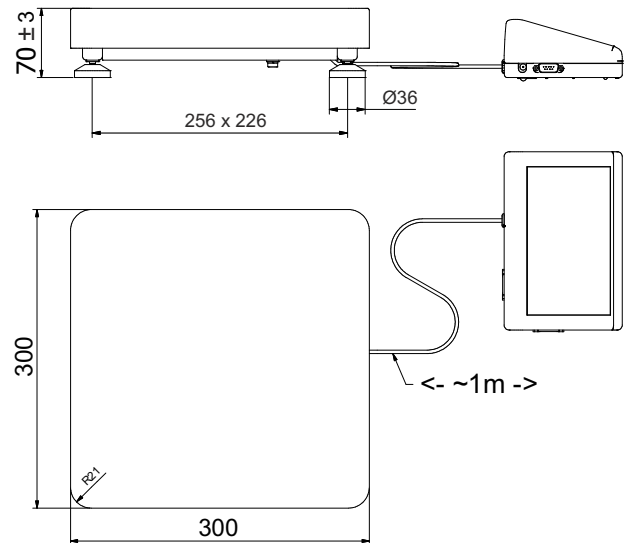
A2 version



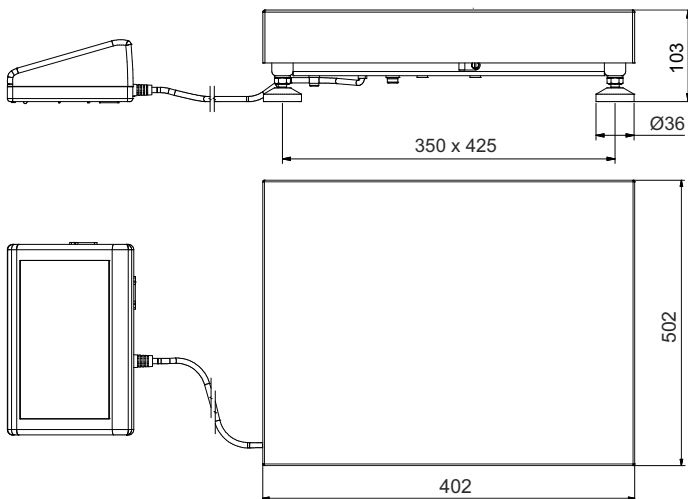
F1/R version



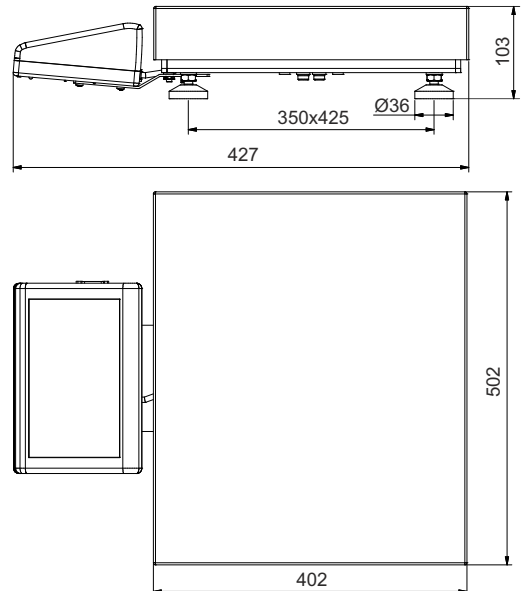
F1/K version



C2/K version



C2/R version



Additional equipment:

"KAFKA" THERMAL PRINTER

ADDITIONAL LCD DISPLAY

IMPACT "EPSON" PRINTER

DENSITY DETERMINATION KIT FOR SOLIDS AND LIQUIDS

RACK FOR UNDER HOOK WEIGHING

EXTERNAL BATTERY PACK WITH CHARGER

SUITCASE FOR BALANCE

COMPUTER SOFTWARE PW-WIN 2005, RAD-KEY 2000, REC-FS 2000

RADWAG Balances & Scales

26-600 Radom • 28 Bracka Street • POLAND • Phone: +48 48 3848800 • Fax: +48 48 3850010 • www.radwag.com • e-mail: export@radwag.com