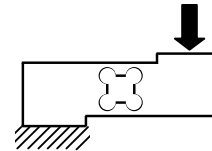
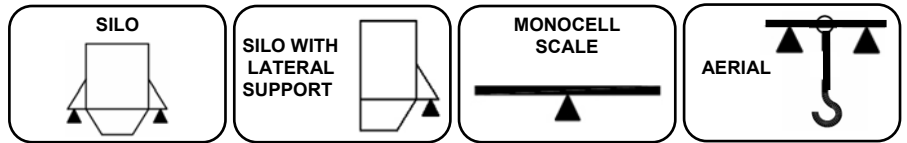
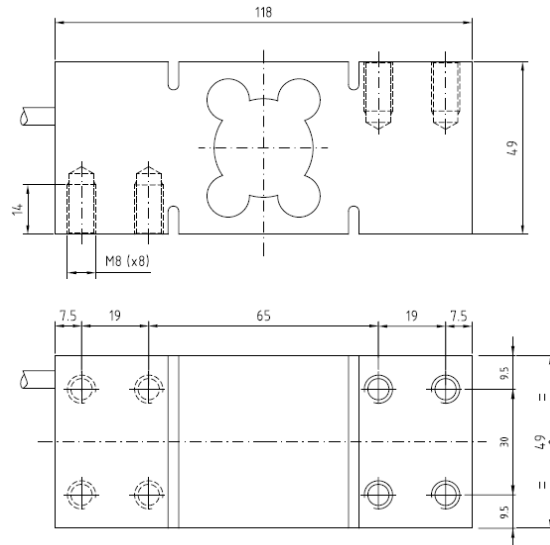


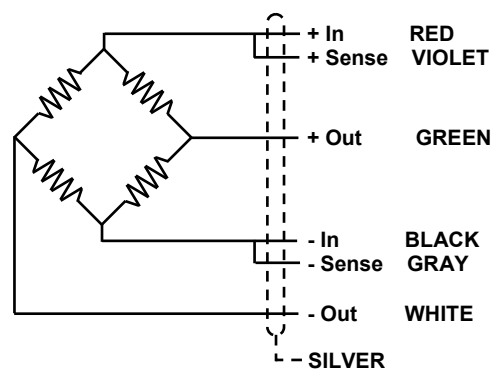
IBM2-IP68



TEFLÓN® protects all the internal cables



Dimensions in mm



APPLICATION:

Single point scales whose platform is up to 600mm x 600mm

CAPACITY RANGE:

100kg - 200kg - 300kg - 500kg

MATERIAL:

Stainless Steel

ENVIRONMENTAL PROTECTION:

IP68

APPROVALS:

CE 3000 Div - TC6178

OIML 3000 Div - R60/2000-NL 1-03.03

CHARACTERISTICS

Manufactured in stainless steel. Only 49mm high.

The laser soldered closing protects from the typical environment in food and chemical industry.

Mounting compatibility.

APPLICATIONS

The IBM2-IP68 model is specially designed for platforms up to 600mm x 600mm with low profile and is protected from environmental conditions that appear in industry, where work and cleaning require a good environmental

OPTIONS

Sensitivity alignment: $\pm 0,1\%$.

Length of the cable is optional.

Hostile environmental cable.

ATEX option

EC-Type examination certificate

CEC 11 ATEX 040 X according directive 94/9/EC

Ex II 1G EEExia IIC T6 (Ta2-0 \div +40°C)
TX (Ta-20 \div +65°C)

Ex II 1D tD A20 TX°C (Ta-20 \div +40°C)
TX°C (Ta-20 \div +65°C)

For more information look up the EC-type examination certificate, and documentation.

Consult for special requirements.

www.ascellsensor.com
info@ascellsensor.com

Tel: (+34) 93 776 60 89
Fax: (+34) 93 775 14 72

GENERAL TECHNICAL CHARACTERISTICS FOR $g= 9,8031 \text{ m/ s}^2$

OIML Class	C3	UNITS
Divisions n_{LC}	3000	
Minimum Dead load E_{min}	0	kg
$Z= E_{max} / 2DR$	3000	
$Y= E \text{ max.} / V_{min.}$	10000	
Rated Capacity E_{max}	100 - 200 - 300 - 500	kg
Rated Sensitivity C	$2 \pm 10 \%$	mV/V
Rated Input Voltage	10	V dc
Input Voltage Range	5...15	V ac/dc
Input Resistance R_{LC}	382 ± 10	Ω
Output Resistance	350 ± 3	Ω
Zero Balance	± 2	% Emax
Insulation Resistance at 50 V DC	> 5000	M Ω
Service Overload	> 150	% Emax
Overload Limit	> 300	% Emax
Temperature Range : Compensated	- 10 ... 40	$^{\circ}\text{C}$
: Operating	- 30 ... 85	$^{\circ}\text{C}$
: Storage	- 30 ... 90	$^{\circ}\text{C}$
Max. Nonlinearity	0,02	% Emax
Max. Hysteresis	0,02	% Emax
Max. No repeatability	0,01	% Emax
M Max. Creep in 4 hours	0,03	% Emax
Max. Zero Recovery Test in 1/2 hour	0,011	% Emax
Max Temperature effect : On Sensitivity	0,0013	% Emax / $^{\circ}\text{C}$
: On Zero	0,0014	% Emax / $^{\circ}\text{C}$
Weight	1770	g
Cable Length	3	m
Environmental Protection	IP68 - DIN 40050 (100h 1m)	