



**Washable!**

# TITAN Mini Series

*Trans-Industrial Technology Advanced Node*

## HL-WP

**Dust & Waterproof Digital Scales**

**IP65**



**Stainless Steel Body**



**A&D** ...Clearly a Better Value  
A&D Company, Limited  
<http://www.aandd.jp>



Food Service



Factory

## Easy & simple to use for sanitary applications!

- Washable body IP65 (stainless steel body)
- Small-footprint
- 1/3000 high resolution  
(HL-300WP, HL-3000WP & HL-3000LWP)
- Portable  
(6 AA-type batteries, batteries not included)
- Clear LCD display
- Stability indicator
- Tare function
- Auto power off
- Easy to clean
- AC adapter (optional)

### Specifications

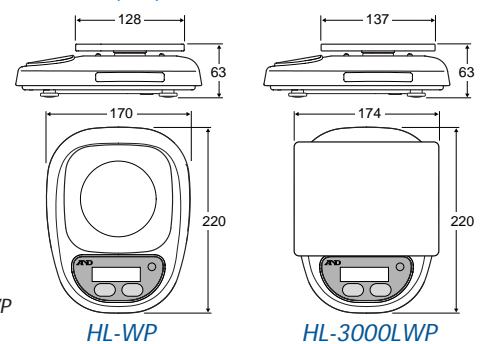
HL-WP	HL-300WP	HL-1000WP	HL-3000WP	HL-3000LWP
Capacity	300g	1000g	3000g	3000g
Resolution	0.1g	0.5g	1g	1g
Display	12mm height, 7 segment Liquid Crystal Display			
Display update	Approx. 4 times per second			
Pan size	128 (W) x 128 (D) mm 5.04 (W) x 5.04 (D) inches		174 (W) x 137 (D) mm 6.85 (W) x 5.39 (D) inches	
Dimensions	170 (W) x 220 (D) x 63 (H) mm 6.68 (W) x 8.64 (D) x 2.50 (H) inches		174 (W) x 220 (D) x 63 (H) mm 6.8 (W) x 8.6 (D) x 2.50 (H) inches	
Battery life (approx.)	Approx. 100 hours with manganese, 200 hours with alkaline			
Weight (approx.)	Approx. 870g		Approx. 950g	
Power	6 x R6P / LR6 / "AA" size batteries or AC adapter			

*Specifications subject to change for improvement without notice.*

### Accessories

AX-TB125 AC Adapter AC200-240V 'C' plug  
 AX-TB126 AC Adapter AC200-240V 'BF/S/no' plug  
 AX-TB196 AC Adapter AC100V  
 AX-TB202 AC Adapter AC120V

### Dimensions (mm)



Model	Capacity & Resolution
<b>HL-300WP</b>	<b>300g x 0.1g</b>
<b>HL-1000WP</b>	<b>1000g x 0.5g</b>
<b>HL-3000WP</b>	<b>3000g x 1g</b>
<b>HL-3000LWP</b>	<b>3000g x 1g</b>



TITAN Family

**TITAN** Compact Series  
**SK-WP**  
 Dust & Waterproof Digital Scales



Model	Capacity & Resolution
<b>SK-1000WP</b>	<b>1000g x 0.5g</b>
<b>SK-2000WP</b>	<b>2000g x 1g</b>
<b>SK-5000WP</b>	<b>5000g x 2g</b>
<b>SK-5001WP</b>	<b>5000g x 1g</b>
<b>SK-10KWP</b>	<b>10kg x 0.005kg</b>
<b>SK-20KWP</b>	<b>20kg x 0.01kg</b>

Pan size: 232(W)x192(D)mm

**A&D** ...Clearly a Better Value

A&D Company, Limited

3-23-14 Higashi-Ikebukuro, Toshima-ku, Tokyo 170-0013 JAPAN  
 Telephone:[81](3) 5391-6132 Fax:[81](3) 5391-6148  
 http://www.aandd.jp

A&D ENGINEERING, INC.  
 1555 McCandless Drive, Milpitas, CA. 95035 U.S.A.  
 Telephone:[1](408) 263-5333 Fax:[1](408) 263-0119

A&D MERCURY PTY. LTD.  
 32 Dew Street, Thebarton, South Australia 5031 AUSTRALIA  
 Telephone:[61](8) 8301-8100 Fax:[61](8) 8352-7409

A&D INSTRUMENTS LTD.

Unit 24/26 Blacklands Way Abingdon Business Park,  
 Abingdon, Oxon OX14 1DY United Kingdom  
 Telephone:[44](1235) 550420 Fax:[44](1235) 550485

<German Sales Office>

Große Straße 13 b 22926 Ahrensburg GERMANY  
 Telephone:[49](0) 4102 459230 Fax:[49](0) 4102 459231

A&D KOREA Limited

Manhattan Bldg. 8F, 36-2 Yoido-dong, Youngdeungpo-gu, Seoul, KOREA  
 Telephone:[82](2) 780-4101 Fax:[82](2) 782-4280